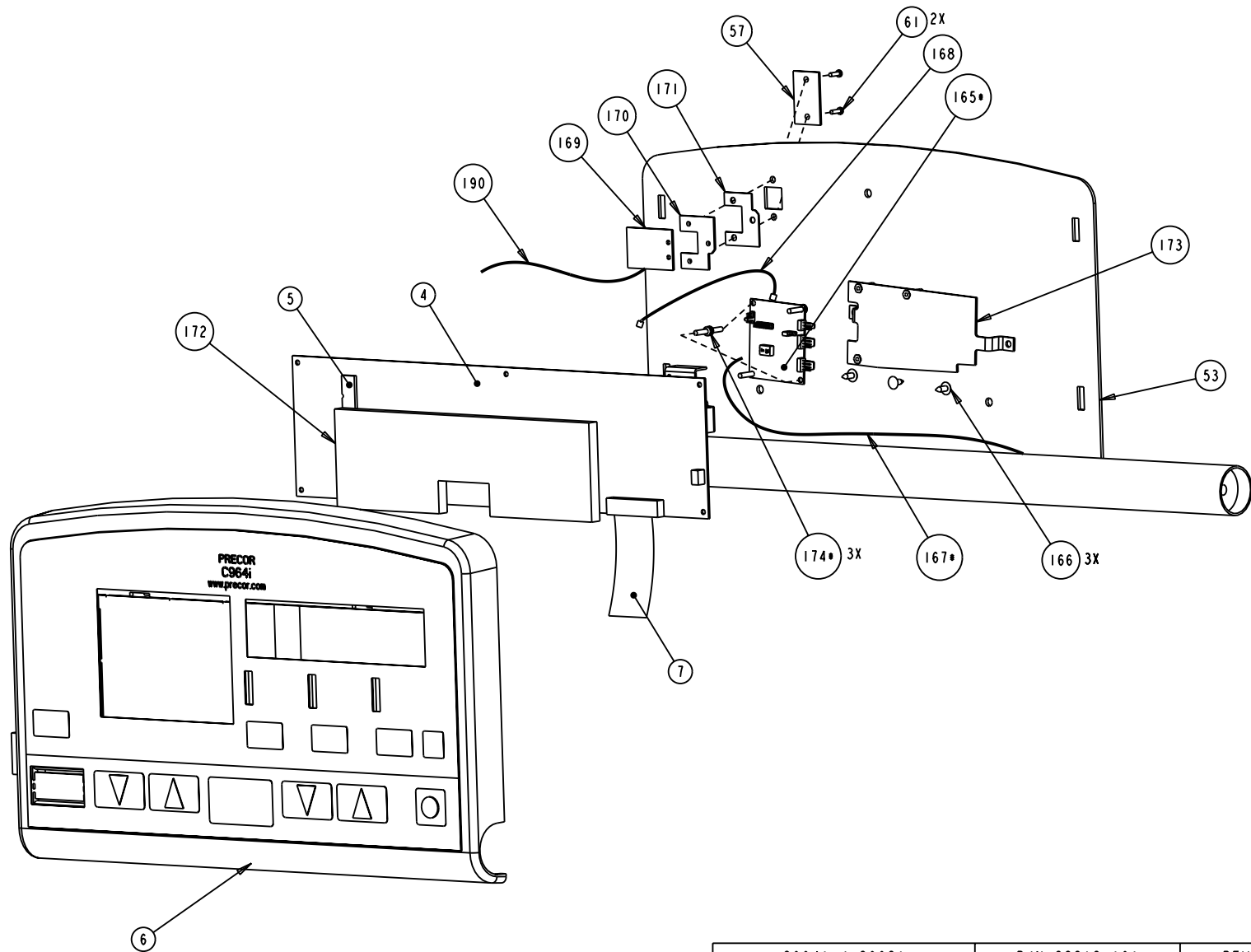
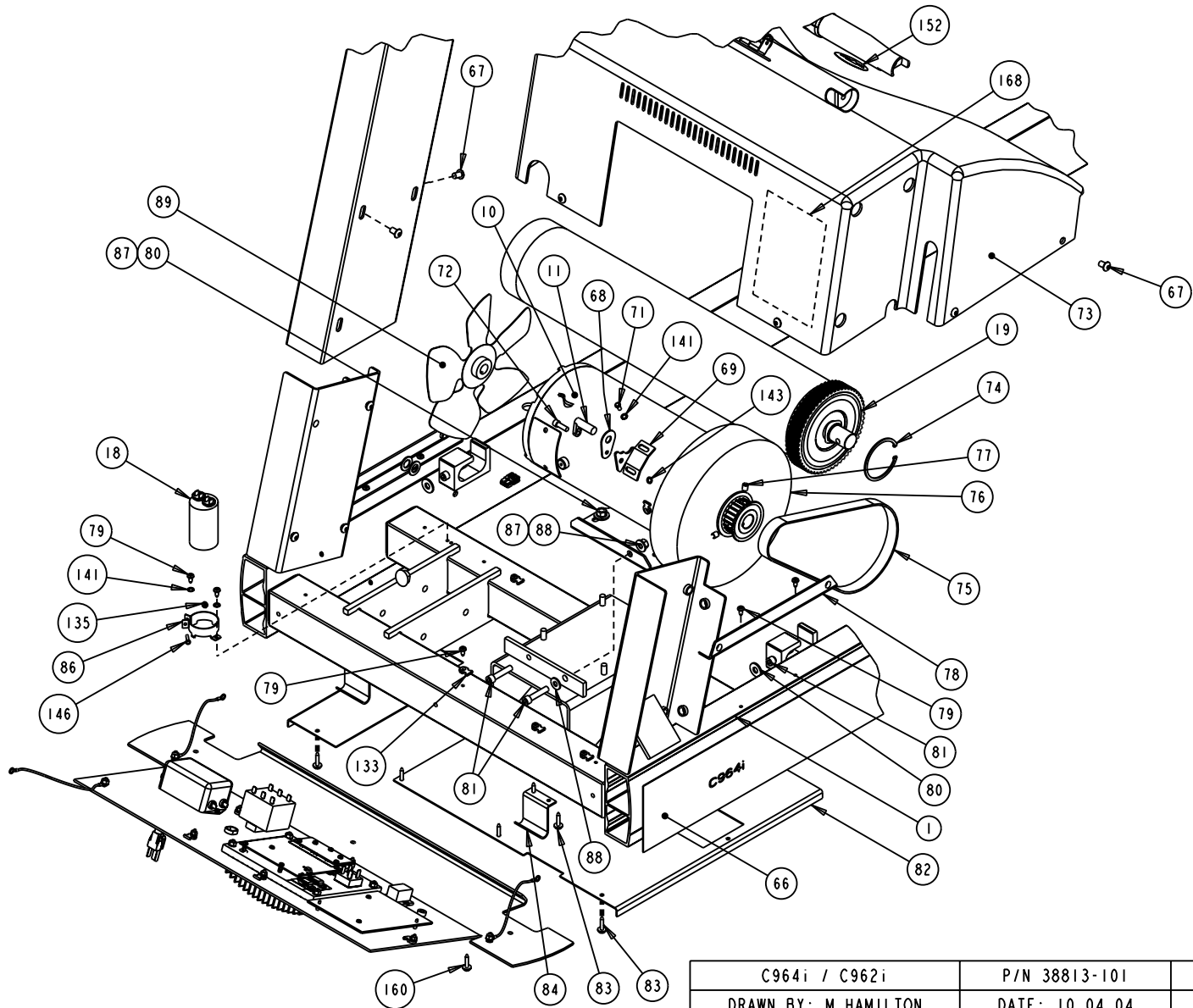


C964i / C962i	P/N 38813-101	REV: K01
DRAWN BY: M.HAMILTON	DATE: 10.04.04	SHEET 1 OF 6

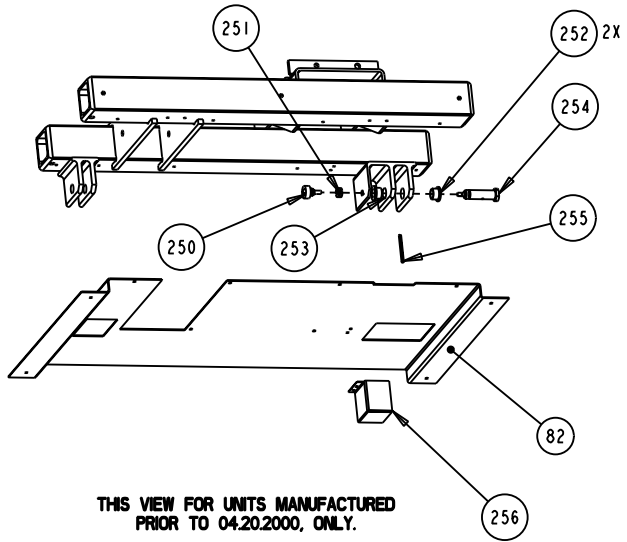


• HHR OPTION ONLY

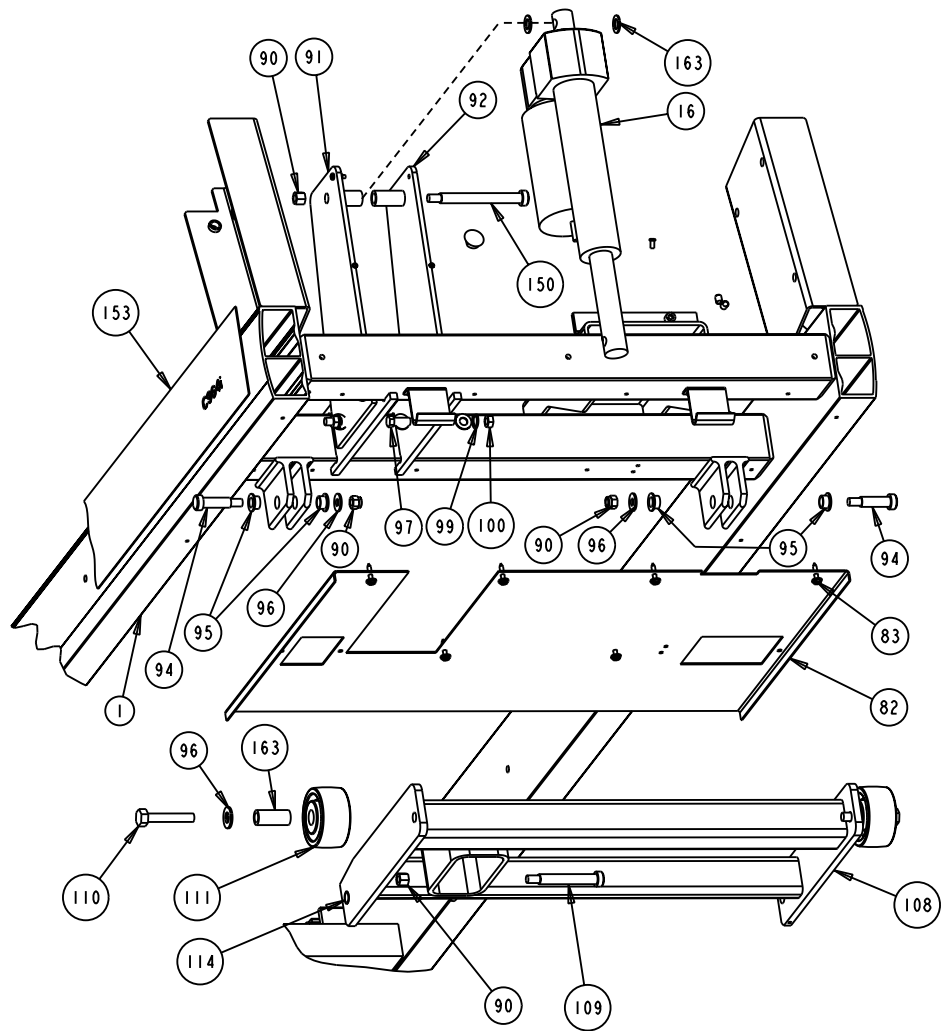
C964i / C962i	P/N 38813-101	REV: K01
DRAWN BY: M.HAMILTON	DATE: 10.04.04	SHEET 2 OF 6



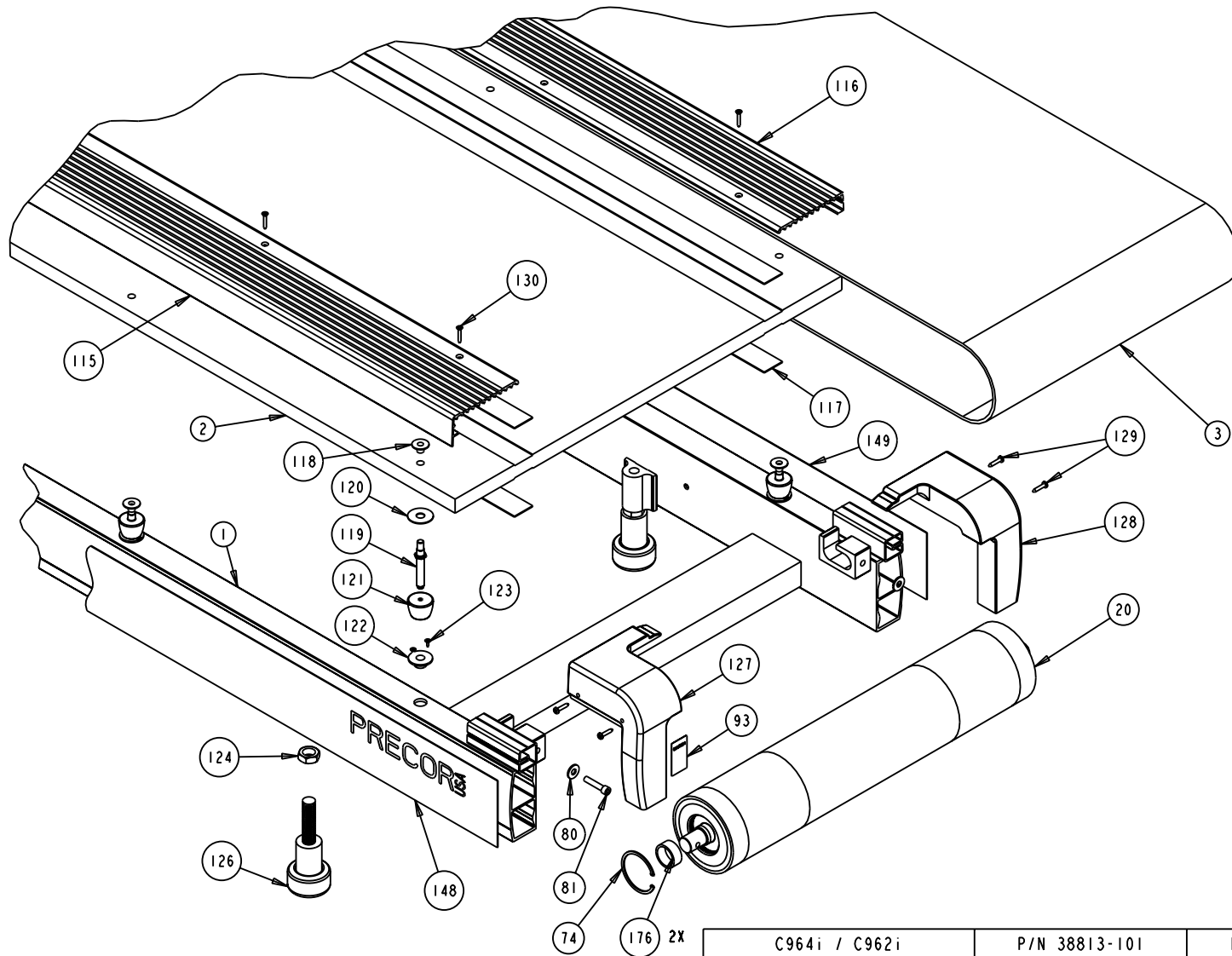
C964i / C962i	P/N 38813-101	REV: K01
DRAWN BY: M.HAMILTON	DATE: 10.04.04	SHEET 3 OF 6



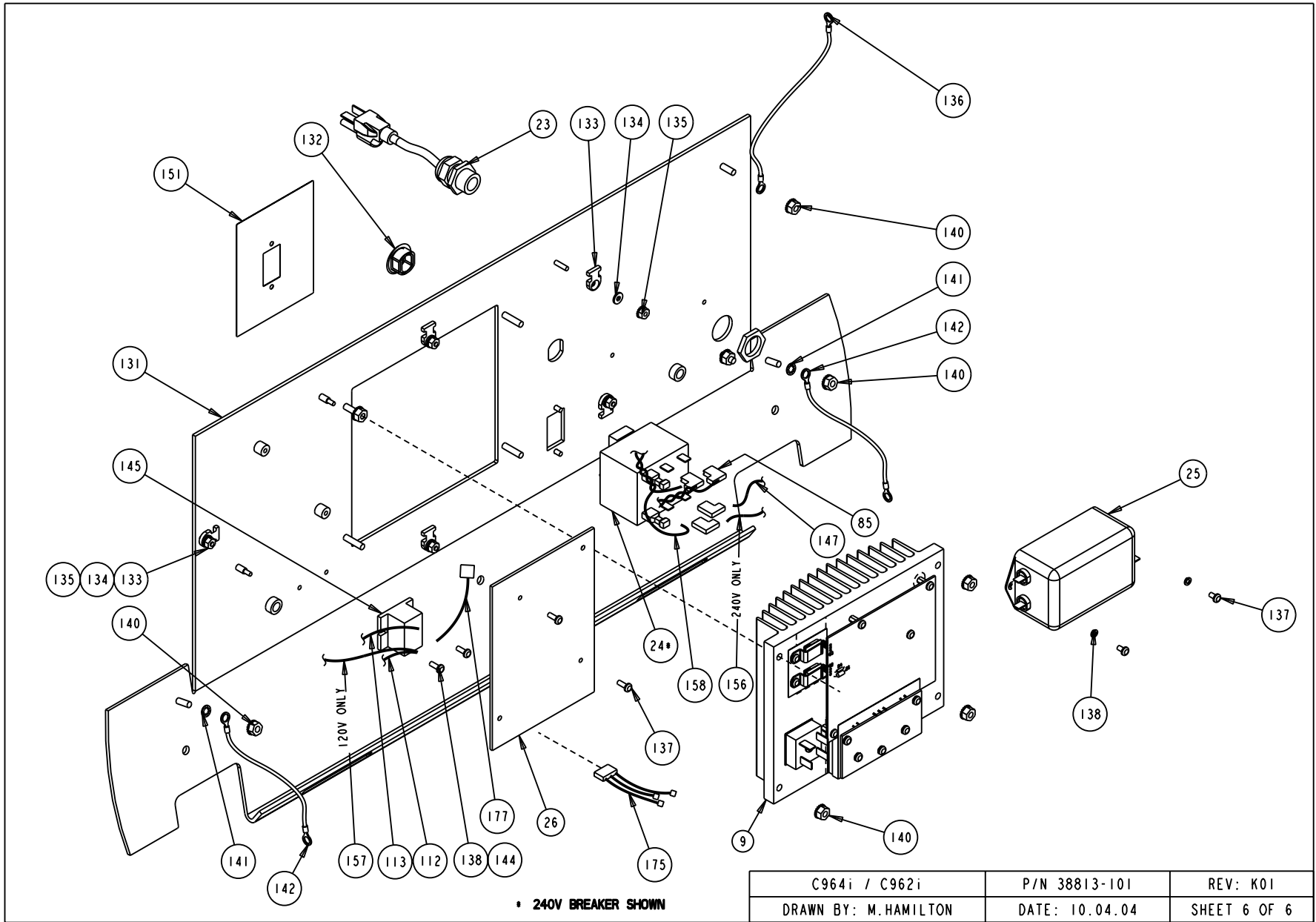
THIS VIEW FOR UNITS MANUFACTURED
PRIOR TO 04.20.2000, ONLY.



C964i / C962i	P/N 38813-101	REV: K01
DRAWN BY: M.HAMILTON	DATE: 10.04.04	SHEET 4 OF 6



C964i / C962i	P/N 38813-101	REV: K01
DRAWN BY: M.HAMILTON	DATE: 10.04.04	SHEET 5 OF 6



* 240V BREAKER SHOWN

C964i / C962i	P/N 38813-101	REV: K01
DRAWN BY: M.HAMILTON	DATE: 10.04.04	SHEET 6 OF 6

C962i (240 VAC) (serial code 3B, 5N)

Part Number	Description	Bubble Number
48401-102	BED, ASSEMBLED, BLACK C96XI	2
36355-127	RUNNING BELT, SIEGLING, 138.10 X 20	3
33663-115	PCA,DISPLAY,CLUB,C962I	4
43633-106	ASSY,PCA&SW,C962I,HUBBELL,UPR	4.01
43073-106	ASSY,PCA&SW,C962I,WARNER,UPR	4.02
43604-114	PROM,C962I,HUBBELL,V1.14	5
38746-114	PROM,C962I,V1.14,WARNER	5.01
38062-105	ASSY,DISPLAY,C962I,ENGLISH	6
43349-102	ASSY, CABLE INTERFACE,C96XI	7
38728-509	ASSY PCA,LOWER POWER, C964I	9
38754-103	MOTOR, 220V, 4HP	10
33868-109	ASSY,CBL,SPEED SENSOR	11
33657-106	MOTOR,LIFT 240V,WARNER	16
40189-108	MOTOR,LIFT ACTUATOR, 220V	16
33657-106	MOTOR,LIFT 240V,WARNER	16.01
11249-102	CAP,MOTOR RUN,7.5UF,500V,VDE	18
33560-102	ASSY, DRIVE ROLLER, C960/SP	19
33490-102	ASSY, TAKE-UP ROLLER, C960/SP	20
45671-136	ASSY, LINE CORD,250V,20A,	23
10738-102	CKT BRKR,250V,MAGNETIC,ROCKER,	24
11224-102	FILTER,PWR LINE,250VAC,16A	25
44397-101	PCA,LOWER LOGIC,964I LIFT W/POT,HUB	26
37882-104	PCA,LOWER LOGIC,964,WARNER	26.01
33735-204	WELDMENT,TARGA RIGHT,PAINTED,SILVER	50
59034-101	C96XI SILVER TARGA RETRO KIT	50.01
33735-203	WELDMENT,TARGA LEFT, PAINTED,SILVER	51
33736-102	HANDRAIL, FRONT,PT	52
38844-502	COVER,CUT-OUT,C-SAFE,BLK,PT, OOH	57
PGKN016-050	SCREW,S/T,#8X1/2,TRS,PHIL,BLK	58
MGCE011-075	SCREW,MCH,4-40X3/4,PANHD,PHIL,	59
10736-501	WASHER, RAIL, C960/SP,PT	60
MGKN016-038	SCREW,MCH,8-32X3/8,PANHD,PHIL,	61
33559-104	CAM, SAFETY SWITCH, C96X	62
LANN018-250	PIN, DOWEL, 3/16 X 2.50	63
10731-101	SWITCH,MICRO,	64
59001-102	ASSY,SAFETY CLIP	65
TCNN031-050	SCREW,BTHD,5/16-18, 1/2,SS	67
38876-501	GASKET,RUBBER,HALL EFFECT	68
38940-101	BRACKET,HALL EFFECT SENSOR	69
MHCN019-038	SCREW,MCH,10-32X3/8,PANHD,PHIL	71
CCKN025-075	SCREW,SKHD,1/4-20X0.75,BLK ZN,LK	72
59007-106	ASSY, HOOD C96XI	73
ACHN244-008	RING,RETAINER	74
10737-103	BELT, DRIVE, MOTOR, C960	75
38756-101	ASSY, FLYWHEEL,964I	76
EMKN008-010	SCREW,SET,M8-1.25XM10,KNRLDCUP	77
33849-102	BRACKET, HOOD C960	78
PBKN019-050	SCREW,S/T,#10X1/2,PANHD,PHIL,	79
WCCN031-008	WASHER, FLT, 5/16X.875X.083	80
CAKN031-150	SCREW,SKHD,5/16-18X1.50,BLK ZN,LK	81

38739-103	SAFTEY, GUARD, ALUM	82
PKCN019-075	SCREW,S/T,#10X.75,WSHHXHD,ZN	83
38854-101	BRACKET,PANEL,LOWER ELECTRONIC	84
45273-014	ASSY, CABLE, FILTER TO TERMINAL BLK	85
11377-101	BRACKET,MOUNTING,CAPACITOR	86
KGCN031-027	LOCKNUT,STARWASHER,5/16-18,1/2	87
WCCN025-007	WASHER, FLT, 1/4X.734X.065	88
37239-102	FAN, MOTOR, PWM, DL HUB	89
KDCN038-025	LOCKNUT, FULL, 3/8-16, ZINC	90
38714-207	WELDMENT,GUSSET,LIFT MOTOR,LH,	91
38714-208	WELDMENT,GUSSET,LIFT MOTOR,RH,	92
32351-503	LABEL, CAUTION, GRAY C960	93
RANN038-150	SCR,SHLD,1/2 X 1-1/2 ,HEXSC	94
10043-112	BEARING, FLANGE OD=.62 ID=.5	95
WBCN050-010	WASHER, FLT, 1/2, ID=.531,	96
HCCN038-150	SCREW,HEX,GR 5,3/8-16X1 1/2,ZN	97
WALCN038-009	WASHER, 3/8 SPLIT LOCK, ZINC	99
KMCN038-034	NUT, HEX, 3/8-16, ZINC	100
38743-101	ASSY, POTENTIOMETER, LIFT	101
20094-101	COUPLER,CLAMP,2PC,.250ID	102
10133-138	RING,EXTERNAL,.625,.042THK	104
38716-101	PIN,LIFT PLATFORM	105
11376-101	PIN,SPRING,SLOTTED,5/32 X 2	106
38855-101	COVER,POTENTIOMETER	107
RCKN038-300	SCREW,SHLD,1/2 X 3 ,HEXSC,BLK	109
HCKN050-250	SCREW,HEX,GR 5,1/2-13X2-1/2,BLK ZN	110
38775-101	ASSY, WIRE TERMINAL BLOCK TO	112
38775-102	ASSY, WIRE TERMINAL BLOCK TO	113
10213-105	BUSHING,OILITE,5/8 OD X 1/2 ID	114
38735-101	TRIM, BED, LEFT	115
38735-102	TRIM, BED, RIGHT	116
KANNN038-044	NUT, TEE, 3/8-16	118
33873-104	STUD, BED SPRING	119
WABCN044-006	WASHER, FEN. 7/16, ID=.500,	120
33563-102	SPRING, BED SUPPORT	121
36103-105	BUSHING,BED,C960	122
PPCN011-038	SCREW,S/T,#4X3/8,FLTHD,PHIL,	123
44361-501	ASSY,FOOT,REAR C960	126
38736-501	ENDCAP,LEFT,PT	127
38736-502	ENDCAP, RIGHT,PT	128
PBKN019-100	SCREW,S/T,#10X1,PANHD,PHIL,BLK	129
DDNN019-100	SCREW,WOOD,#10X1,SS	130
38727-501	PANEL,LOWER ELECTRONICS,PT	131
11365-101	PLUG,PLASTIC,DOUBLE-D	132
11366-101	HOLDER,CABLE TIE	133
WANN013-005	WASHER, FLT, #6X.375X.049	134
KGCN013-011	LOCKNUT, STARWASHER 6-32, #6	135
WALCN014-003	WASHER, #6 SPLIT LOCK, ZINC	138
KHCN019-013	LOCKNUT, STARWASHER, 10-32,	140
WATNN020-002	WASHER, LK-INT, #10, ID=.200,	141
38837-101	GROUNDSTRAP,PWM,7"	142
KDKN025-023	LOCKNUT, FULL, 1/4-20, BLK ZN	143

MGCE013-038	SCREW,MCH,6-32X3/8,PANHD,PHIL,	144
11346-102	TERM BLOCK,2POS,8CONDUCTOR,	145
MGCE013-063	SCREW,MCH,6-32X5/8,PANHD,PHIL,	146
38763-102	ASSY, FILTER TO BREAKER,BROWN	147
38002-501	LABEL, SIDERAIL, LEFT REAR,	148
38002-502	LABEL, SIDERAIL, RIGHT REAR,	149
RCNN038-425	SCREW,SHLDR,1/2 X 4 1/4 ,HEX	150
37621-101	LABEL,GROUND EFFECTS,OVAL,DURO-LENZ	152
38012-104	LABEL, SIDERAIL, RIGHT FRONT,	153
10762-109	VELCRO, BLACK LOOP,1.50 X 1.00	154
10762-110	VELCRO, BLACK HOOK,1.50 X 1.00	155
45271-006	ASSY, FILTER TO BREAKER, BLUE	157
38762-102	ASSY, SECURITY LOCK, 964I	158
33867-102	ASSY,CBL, UPPER- SAFETY	159
38946-102	LABEL, INSTR,TIE FOR CABLE	160
38955-101	LABEL,MOTOR WIRES	161
41597-105	ASSY,CHOKE	162
WMSN052-006	WASHER, AN960C816, ID=.515,	163
36079-105	ASSY,CBL,LIFT MOTOR,964/962I	164
37859-501	COVER, ROLLER SHAFT	165
38268-101	PAD,FRICITION	166
38774-104	ASSY, WIRE TERMINAL BLOCK TO	167
38869-501	LABEL,WIRING DIAGRAM,964I,962I	168
43437-501	KIT, HARDWARE, C962I/C964I	200
38811-102	OWNER'S MANUAUL,C962I/C964I	201
43438-101	ADDENDUM,TARGA ASSEMBLY	201
38268-101	PAD,FRICITION	205
10427-140	FUSE,SLOW,2A,250V,1/4 DIA	206
11075-102	FUSE,1.00A,250VAC,SLOW,RADIAL	207
10186-109	WRENCH, ALLEN, 1/4, 3 X 3	208
10186-103	WRENCH, ALLEN, 3/16	209
59026-102	C962I,C964I DRIVE MOTOR UPGRADE KIT	210
20029-102	BELT, DRIVE, LIFT, DAYCO	215
36192-101	BUSHING, SPANNER	220
38743-101	ASSY, POTENTIOMETER, LIFT	250
20094-101	COUPLER,CLAMP,2PC, .250ID	251
AEHN063-004	RING,EXTERNAL,.625,.042THK	253
38716-101	PIN,LIFT PLATFORM	254
11376-101	PIN,SPRING,SLOTTED,5/32 X 2	255
38855-101	COVER,POTENTIOMETER	256
20002-106	BRUSH, MOTOR, PAC SCI, C960	990
38809-104	KIT,LITERATURE,C962I/C964I	999